

Melt Pressure Transmitter Data Sheet

Industrial Pressure Transmitter

Model: CMPT124B-112T

Introduction

◆ The model CMPT124B-112T comes with thermocouple, it can achieve the pressure and temperature measuring at one point. This series adopt special material and alloy elastic membrane to low down temperature draft and improve accuracy. The zero & full span can be calibrated, with amplify signal be connected with PLC, and internal 80% calibration. It has the wide application in high-temp liquid pressure measurement and control such as Chemical & Fiber equipment, polyester equipment, etc.

Application

- ◆ Fiber Equipment
- ◆ Plastic and Rubber manufacturing equipment
- ◆ Other melt pressure measurement and Control

Features:

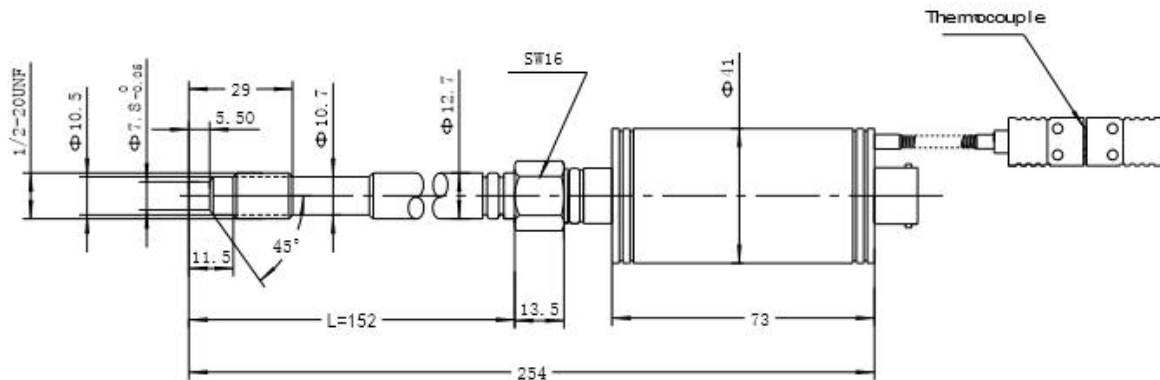
- ◆ High accuracy
- ◆ Stainless steel welding
- ◆ Easy to install
- ◆ Internal 80% calibration
- ◆ Excellent stability and repeatability



RoHS



Dimensions(mm):



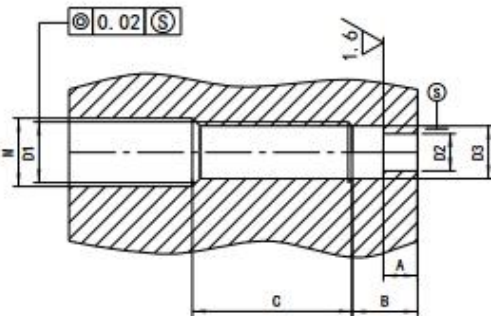
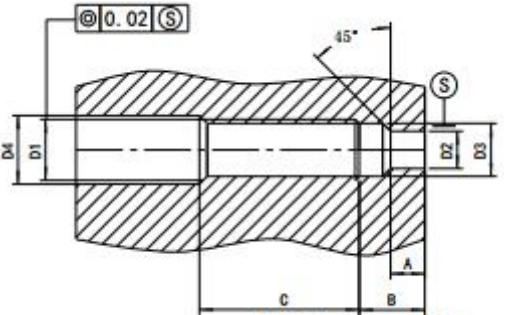
Technical Characteristics

Model	CMPT124B-112T
Range	0....10Mpa to 0....150MPa (0...1500psi to 0...20000psi)
Output	0~5V; 0~10V; 4-20mA

Melt Pressure Transmitter Data Sheet

Accuracy	$\pm 0.5\%FS$
Input voltage	24VDC (12~36)VDC
Repeatability	$\pm 0.2\%$
Construction:	Wheatstone bridge
Bridge resistance	350 ohms $\pm 10\%$
Overload pressure	1.5 \times FSO
Internal calibration	80%FSO $\pm 1\%$
Insulation Resistance	1000Megohms @50Vdc
Max. Diaphragm Temp	350°C
Electric connector	5PIN, 6PIN
Process connector	1/2"-20UNF, M14 \times 1.5, M18 \times 1.5 (Customer design)

Mounting hole

 <p style="text-align: center;">Planar Sealed</p>	D1	M22*1.5	M28*1.5	G3/4"	PT3/8"
	D2	$\Phi 16.1$	$\Phi 18.3$	$\Phi 18.3$	$\Phi 10.3$
	D3	$\Phi 20.1$	$\Phi 26.1$	$\Phi 24.2$	$\Phi 14.9$
	M	$\Phi 23$	$\Phi 30$	$\Phi 21$	$\Phi 11$
	A	11	12	12	14
	B	12	15	15	19
	C	40	35	35	40
 <p style="text-align: center;">45° Slope Sealed</p>	D1	M12*1.5	M14*1.5	1/2-20 UNF	M18*1.5
	D2	$\Phi 8$	$\Phi 8$	$\Phi 8$	$\Phi 10.1$
	D3	$\Phi 10.8$	$\Phi 12.5$	$\Phi 11.5$	$\Phi 16.1$
	D4	$\Phi 12.5$	$\Phi 14.5$	$\Phi 13.1$	$\Phi 20$
	A	6	6	6	6.5
	B	9	9.5	9.5	10

Melt Pressure Transmitter

Data Sheet

Attention for installation

◆ **Installation** Do not remove protective cap until ready to install. Prior to initial installation, verify correct machining of mounting hole. Install with aluminum gasket. The electronics housing should be secured, with the enclosed mounting bracket.

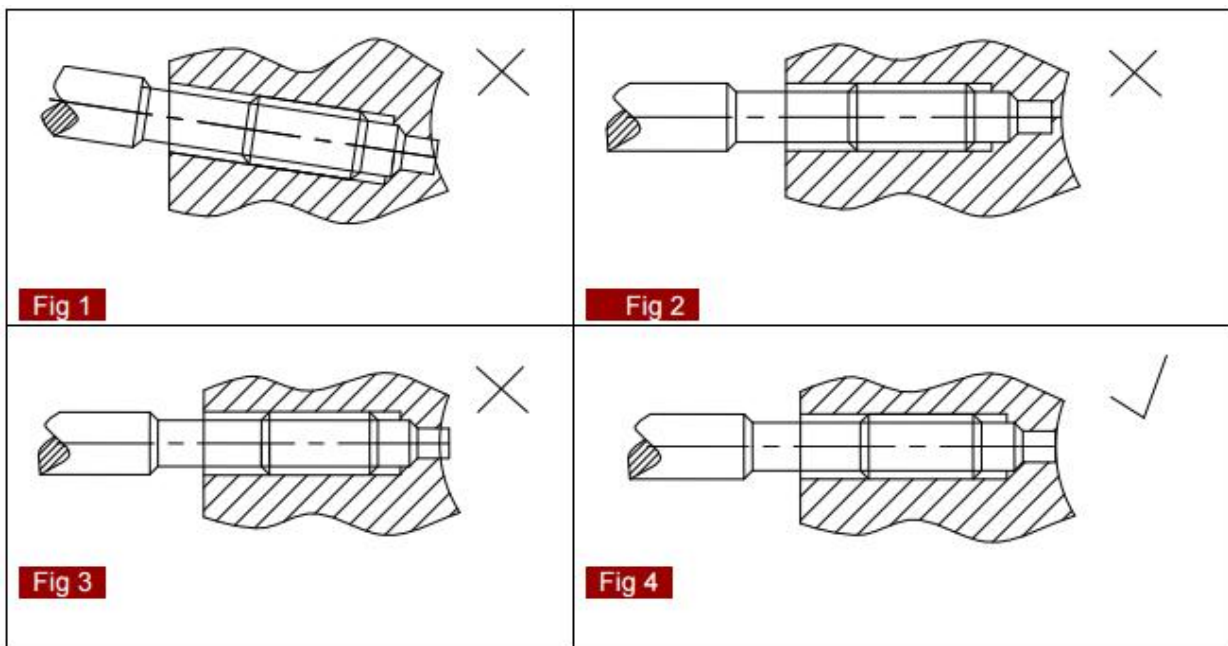
◆ **Remove** Make sure that there is no remained metal or plastic; remove all of the transducers from the equipment before you clean the extruder. You can remove the transducer only when the polymer is molten. And clean the diaphragm of the transducer with soft cloth as soon as you remove it. At the same time, you can use ZHYQ's cleaning tool kit to clean the remained material in the mounting hole in order to install easily next time.

◆ **Start-up** Bring system to operating temperature, and with no pressure, follow recommended procedures with instrumentation for zero and span adjustment. Make sure that there is sufficient "soak time" to assure that any material at the tip of the transducer is molten before process is started.

◆ **Electrical house** The tip of the transducer can endure high temperature, but the shell (electrical house) only endure temperature lower than 80°C, so it should place in the room temperature. It can benefit for the accuracy and natural life of the transducer if you keep the shell from the high temperature.

◆ **Overload effect** During the course of pressure measuring and controlling, it is better to make sure the transducer within the rated pressure, too long time overload the pressure will affect the accuracy and natural life of transducer, although the transducer own determinate overload ability.

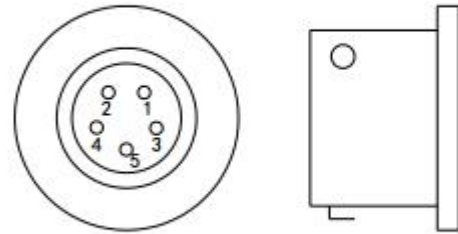
◆ **Wiring** Use shielded cable, attach cable shield to ground at one end only. In order to prevent the jamming.



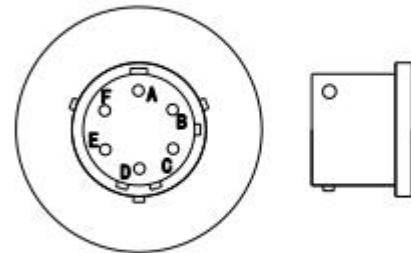
Melt Pressure Transmitter Data Sheet

Wiring diagram

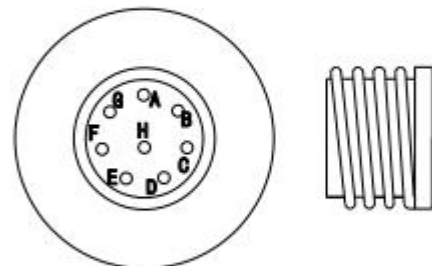
Output	Function	Color	5PIN
0/5V,1-5V; 0/10V 0/0.5V 2.0mV/V	Signal +	Blue	1
	Excitation +	Red	2
	Signal -	White	3
	Excitation -	Yellow	4
	Calibration	Black	5
Output	Function	Color	5PIN
4/20mA	Signal+	Blue	1
	Excitation+	Red	2
	Calibration	Yellow	4
	Calibration	Black	5



Output	Function	Color	6PIN
0-5V;1-5V; 0-10V; 0/0.5V 3.33mV/V	Signal +	Blue	A
	Signal -	Green	B
	Excitation +	Red	C
	Excitation -	Yellow	D
	Calibration	Brown	E
	Calibration	Black	F
Output	Function	Color	6PIN
4-20mA	E+ / S+	Red	A
	E- / S-	Blue	B
	Calibration	Yellow	E
	Calibration	Black	F



Output	Function	Color	8PIN
0-5V;1-5V; 0-10V; 0/0.5V 3.33mV/V	Excitation +	Red	A
	Signal +	Blue	B
	Excitation -	Yellow	C
	Signal -	Green /White	D
	Calibration	Brown	E
	Calibration	Black	F
	Blank	--	G, H
Output	Function	Color	8PIN
4-20mA	E+ / S+	Red	A
	E+ / S+	Blue	B
	Calibration	Yellow	E
	Calibration	Black	F





Melt Pressure Transmitter Data Sheet

Ordering Guide

Model	Range (bar)	Output	Screw Thread	Electric connection	Accuracy	Diameter (mm)	Other requirement
CMPT124B-112T	*	*	*	*	*	*	---

Example: CMPT124B-112T-500Bar-4/20mA-1/2-20UNF-6PIN-J

